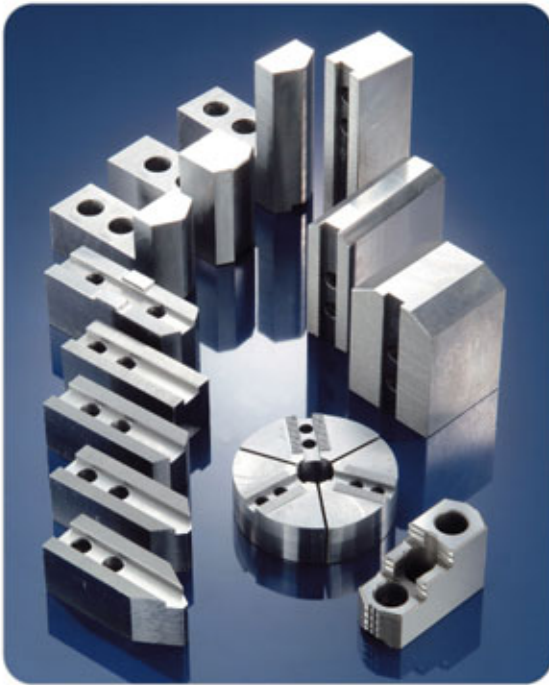


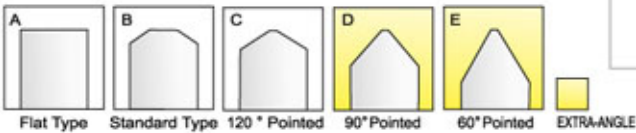
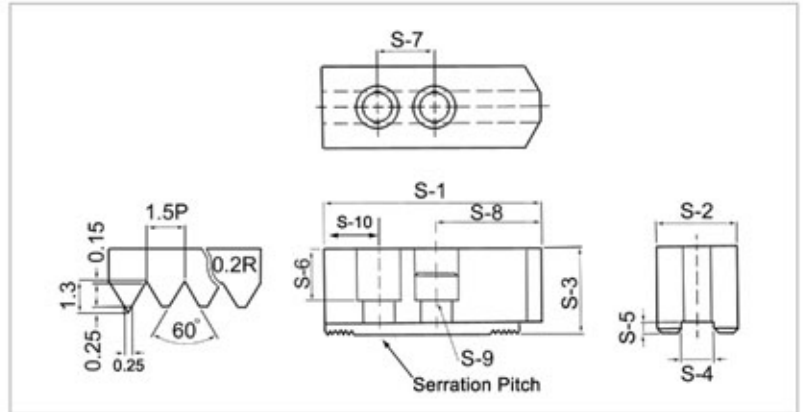
SOFT JAWS FOR HYDRAULIC CHUCKS



TAIKI has more than thirty years of experience in manufacturing soft jaws. With everlasting efforts, TAIKI has been in a professional and leading position. We provide different styles and size to suit for all brands of hydraulic power chucks. We categorize the jaws into many types, such as standard, extra-height, extra-width and extra-length type. Varied specifications are provided in order to satisfy all customers' different demands to promote high efficiency and accuracy.

Welcome OEM customers to be our business partners. Please feel free to contact us for more details or information. (Please find page 13 & 14)

1.5mmX60° STANDARD TYPE



- With above angle for different workpiece:
- For Flat Type Jaws, please add "A" to suffix of order number, such as :SJ08037A
Standard Type :SJ08037B, 120° Pointed :SJ08037C, 90° Pointed :SJ08037D, 60° Pointed :SJ08037E,

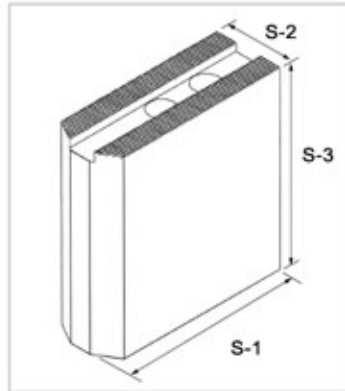
▶ DIMENSIONS

UNIT: mm

DIMENSION ORDER NUMBER	S-1	S-2	S-3	S-4	S-5	S-6	S-7	S-8		S-9	S-10 (A/B angle)	S-10 (C/D/E angle)	Serration Pitch	Gross Weight (kg)
								A,B	C,D E					
SJ04023	51	23	23	10	4	13	14	27		M8		10	1.5x60°	0.5
SJ05027	62	23	27	10	4	17	14	38		M8		10	1.5x60°	0.7
SJ06030	73	31	31	12	5	18	20	38 43		M10	15	10	1.5x60°	1.5
SJ08037	95	35	37	14	5	22	25	46 54		M12	24	16	1.5x60°	2.5
SJ10042	110	40	42	16	5	27	30	50 60		M12	30	20	1.5x60°	3.6
SJ12048	129	48	48	21(18)	5	28	30	60 74		M16(M14)	39	25	1.5x60°	6.2
SJ15062A	165	62	62	22(25.5)	8(5)	37	43	85		M20	37		1.5x60°	12.6
SJ18062A	165	62	62	22(25.5)	8(5)	37	43	85		M20	37		1.5x60°	12.6

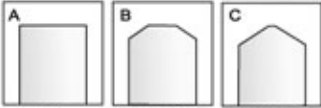
- Material: Steel (S45C)
- To suit kitagawa and other famous chucks.

EXTRA-HEIGHT TYPE



▶ FEATURE

- ▶ Soft jaws of extra-height type are suitable for the length of workpiece is longer, such as 100mm length will need soft jaws of extra-height type with over 70mm height which will increase the accuracy and stability of production process.
- ▶ We are available from over 8 inch which over 200mm height.



Flat Type Standard Type 120° Pointed

- With above angle for different workpiece:
- For Flat Type Jaws, please add "A" to suffix of order number, such as: SJ08060A, Standard Type: SJ08060B, 120° Pointed : SJ08060C.

▶ DIMENSIONS

UNIT: mm

SJ05

ORDER NUMBER	DIMENSION				
	Length S-1	Width S-2	Height S-3	Serration Pitch	Excursus
SJ05036	62	23	36	1.5x60°	
SJ05048	62	23	48	1.5x60°	
SJ05070	62	23	70	1.5x60°	
SJ05100	62	23	100	1.5x60°	

SJ06

ORDER NUMBER	DIMENSION				
	Length S-1	Width S-2	Height S-3	Serration Pitch	Excursus
SJ06036	73	31	36	1.5x60°	
SJ06050	73	31	50	1.5x60°	
SJ06060	73	31	60	1.5x60°	
SJ06070	73	31	70	1.5x60°	
SJ06080	73	31	80	1.5x60°	
SJ06090	73	31	90	1.5x60°	
SJ06100	73	31	100	1.5x60°	
SJ06130	73	31	130	1.5x60°	
SJ06150	73	31	150	1.5x60°	

SJ08

ORDER NUMBER	DIMENSION				
	Length S-1	Width S-2	Height S-3	Serration Pitch	Excursus
SJ08050	95	35	50	1.5x60°	
SJ08060	95	35	60	1.5x60°	
SJ08070	95	35	70	1.5x60°	
SJ08080	95	35	80	1.5x60°	
SJ08090	95	35	90	1.5x60°	
SJ08100	95	35	100	1.5x60°	
SJ08120	95	35	120	1.5x60°	
SJ08150	95	35	150	1.5x60°	
SJ08180	95	35	180	1.5x60°	
SJ08210	95	35	210	1.5x60°	

- Material: Steel (S45C)
- Serration Pitch: 1.5mmX60°
- To suit kitagawa and other famous chucks.

SJ10

ORDER NUMBER	DIMENSION				
	Length S-1	Width S-2	Height S-3	Serration Pitch	Excursus
SJ10050	110	40	50	1.5x60°	
SJ10060	110	40	60	1.5x60°	
SJ10070	110	40	70	1.5x60°	
SJ10080	110	40	80	1.5x60°	
SJ10090	110	40	90	1.5x60°	
SJ10100	110	40	100	1.5x60°	
SJ10120	110	40	120	1.5x60°	
SJ10150	110	40	150	1.5x60°	
SJ10180	110	40	180	1.5x60°	
SJ10200	110	40	200	1.5x60°	

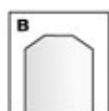
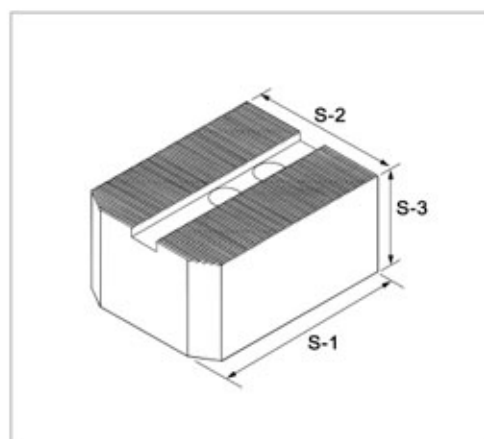
SJ12

ORDER NUMBER	DIMENSION				
	Length S-1	Width S-2	Height S-3	Serration Pitch	Excursus
SJ12060	129	48	60	1.5x60°	
SJ12080	129	48	80	1.5x60°	
SJ12100	129	48	100	1.5x60°	
SJ12120	129	48	120	1.5x60°	
SJ12150	129	48	150	1.5x60°	
SJ12180	129	48	180	1.5x60°	
SJ12200	129	48	200	1.5x60°	

SJ15 / SJ18

ORDER NUMBER	DIMENSION				
	Length S-1	Width S-2	Height S-3	Serration Pitch	Excursus
SJ15080A	165	62	80	1.5x60°	
SJ15100A	165	62	100	1.5x60°	
SJ15130A	165	62	130	1.5x60°	
SJ15150A	165	62	150	1.5x60°	
SJ15180A	165	62	180	1.5x60°	
SJ15220A	165	62	220	1.5x60°	

EXTRA-WIDTH TYPE



Standard Type

- Standard Type only.
- For other angle, please find page13.

▶ FEATURE

- ▶ Soft jaws of extra-width type are suitable for thinner, deformable and bigger covering range of parts enable to decrease deformation and increase the accuracy.
- ▶ Such as outer dia. 60mm will need 60mm of extra-width type of soft jaws.

▶ DIMENSIONS

UNIT: mm

SJ06

DIMENSION ORDER NUMBER	Length S-1	Width S-2	Height S-3	Serration Pitch	Excursus
SJ0603048B	73	48	30	1.5x60°	
SJ0603060B	73	60	30	1.5x60°	
SJ0603080B	73	80	30	1.5x60°	
SJ0604848B	73	48	48	1.5x60°	
SJ0604863B	73	63	48	1.5x60°	
SJ0606060B	73	60	60	1.5x60°	
SJ0607070B	73	70	70	1.5x60°	

- Material: Steel (S45C)
- Serration Pitch: 1.5mmX60°
- To suit kitagawa and other famous chucks.

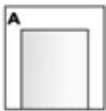
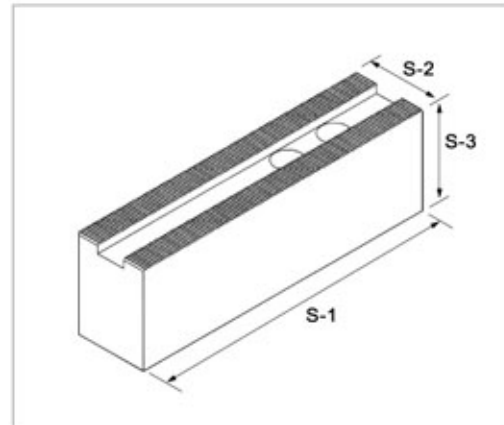
SJ08

DIMENSION ORDER NUMBER	Length S-1	Width S-2	Height S-3	Serration Pitch	Excursus
SJ0803648B	95	48	36	1.5x60°	
SJ0803663B	95	63	36	1.5x60°	
SJ0803680B	95	80	36	1.5x60°	
SJ0804848B	95	48	48	1.5x60°	
SJ0804873B	95	73	48	1.5x60°	
SJ0804890B	95	90	48	1.5x60°	
SJ0806363B	95	63	63	1.5x60°	
SJ0807373B	95	73	73	1.5x60°	
SJ0808383B	95	83	83	1.5x60°	

SJ10

DIMENSION ORDER NUMBER	Length S-1	Width S-2	Height S-3	Serration Pitch	Excursus
SJ1004263 B	110	63	42	1.5x60°	
SJ10042100 B	110	100	42	1.5x60°	
SJ1004873 B	110	73	48	1.5x60°	
SJ1006363 B	110	63	63	1.5x60°	
SJ1007373 B	110	73	73	1.5x60°	
SJ1008383 B	110	83	83	1.5x60°	

EXTRA-LENGTH TYPE



Flat Type

- Flat Type only

▶▶ FEATURE

- ▶ Soft Jaws of extra-Length type are suitable for parts with bigger outer dia.
- ▶ For example : Outer dia.250mm will suit to use SJ08 with extra-Length 150mm of soft jaws.

▶▶ DIMENSIONS

UNIT: mm

SJ08

ORDER NUMBER	DIMENSION				
	Length S-1	Width S-2	Height S-3	Serration Pitch	Excursus
SJ08048150A	150	35	48	1.5x60°	
SJ08063150A	150	35	63	1.5x60°	

SJ12

ORDER NUMBER	DIMENSION				
	Length S-1	Width S-2	Height S-3	Serration Pitch	Excursus
SJ12048150A	150	48	48	1.5x60°	
SJ12048170A	170	48	48	1.5x60°	
SJ12060170A	170	48	60	1.5x60°	
SJ12060200A	200	48	60	1.5x60°	
SJ12080170A	170	48	80	1.5x60°	

SJ10

ORDER NUMBER	DIMENSION				
	Length S-1	Width S-2	Height S-3	Serration Pitch	Excursus
SJ10048150A	150	40	48	1.5x60°	
SJ10063150A	150	40	63	1.5x60°	
SJ10083150A	150	40	83	1.5x60°	
SJ10090180A	180	40	90	1.5x60°	

SJ15

ORDER NUMBER	DIMENSION				
	Length S-1	Width S-2	Height S-3	Serration Pitch	Excursus
SJ15072200A	200	62	72	1.5x60°	
SJ15072250A	250	62	72	1.5x60°	

- Material: Steel (S45C)
- Serration Pitch:1.5mmX60°
- To suit kitagawa and other famous chucks.