

JAW BORING RINGS (JB-TYPE)



FEATURE

To Suit for CNC Lathe.

▶ For adjust the high accuracy of chuck during cutting performance.

▶ The operation process as following:

1. Set the jaw for correct position.
2. Adjust the Jaw Boring Rings to fit the bolt holes.

3. Lock the chuck to clamp the Jaw Boring Rings.

4. Machining the required size.

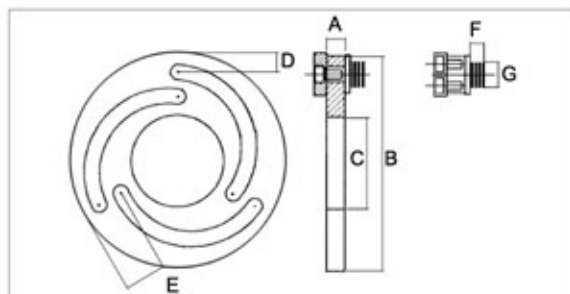
5. Unlock the chuck.

6. If these steps are operated correctly, the part will be accuracy in better T.I.R.



DIMENSIONS

UNIT: mm



DIMENSION ORDER NUMBER	A	B	C	D	E	F	G	Weight (kg)
JB 04	12	114	34	12	28	9	13	0.9
JB 05	12	140	60	12	28	9	13	1.2
JB 06	12	168	80	12	32	9	16.5	1.5
JB 08	12	218	115	15	36	9	18.5	2.4
JB 10	12	258	150	17	40	9	18.5	3.1
JB 12	15	316	188	21	50	9	22.5	5.4
JB 15	20	380	230	23	52	16	31	10.1

■ Material: SCM440

HARD JAWS

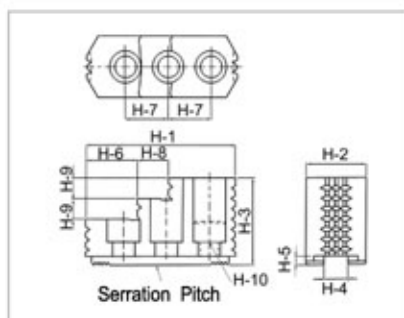


Fig. 1

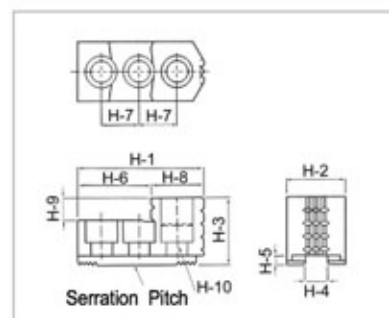


Fig. 2

FEATURE

▶ The hardened serrations of the clamping step are designed to clamp the workpiece securely without leaving large scrape.

DIMENSIONS

UNIT: mm

DIMENSION ORDER NUMBER	H-1	H-2	H-3	H-4	H-5	H-6	H-7	H-8	H-9	H-10	Serration Pitch	Weight (Kg)	Reference Drawing
HJ05	53	23	28	10	4	30.5	14	22.5	10	M8	1.5x60°	0.4	Fig. 2
HJ06	67	31	36	12	5	39	20	28	12	M10	1.5x60°	0.95	Fig. 2
HJ08	87	35	51	14	5	32	25	16	12	M12	1.5x60°	1.95	Fig. 1
HJ10	101	40	54	16	5	43	30	17	13	M12	1.5x60°	2.85	Fig. 1
HJ12	103	50	52	18	5	62	30	41	17	M16	1.5x60°	3.9	Fig. 2
HJ15	143	62	86	22	5	55	43	38	20	M20	1.5x60°	9.6	Fig. 1
HJ21	159	80	90	25	9	104	50	55	40	M20	3.0x60°	14.5	Fig. 2

■ Material: SNCM21

■ To suit kitagawa and other famous chucks.