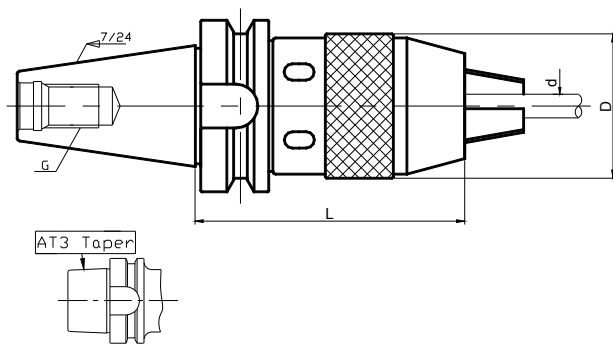


KPU鑽夾頭刀柄-BT柄

KPU DRILL CHUCK HOLDERS-BT(MAS403) SHANK



訂貨型號 Order Code	L	ØD	夾持範圍Ød Clamping range	G	重量(Kg) Weight
BT30-KPU08	75	36	0.5-8	M12	0.8
-KPU13	91	50	0.5-13		1.2
BT40-KPU08	80	36	0.5-8	M16	1.3
-KPU13	95	50	0.5-13		1.8
-KPU16	113	57	3-16		2.3
BT50-KPU13	105	50	0.5-13	M24	4.4
-KPU16	110	57	3-16		4.7